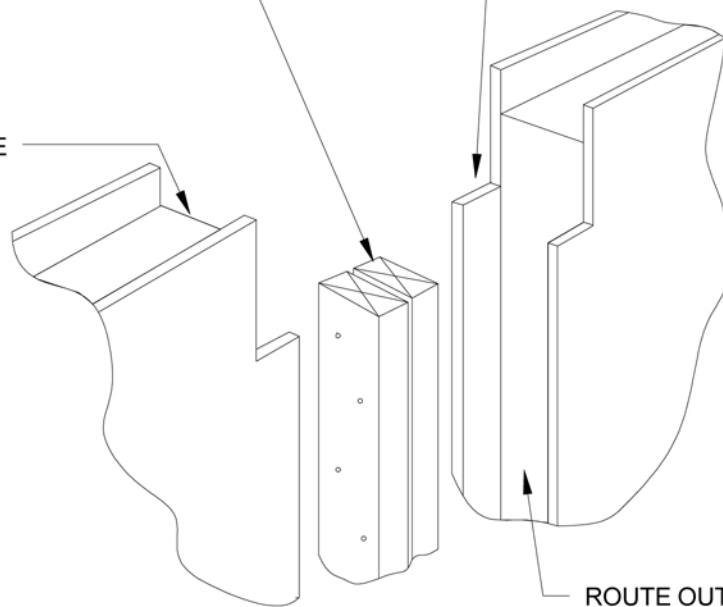


2-2x'S NAILED  
TOGETHER OR  
SOLID POST

ROUTED AREA  
FOR TOP PLATE

NOTCH EACH  
WALL PANEL  
DEPTH OF BEAM



ROUTE OUT FOAM ON  
EACH WALL PANEL

1 BEARING POST DETAIL  
D32 1/4" = 1'-0"



EARTHCORE SIPS  
1005 S. 120th  
LAFAYETTE, CO 80026  
888.299.3049  
[www.earthcoresips.com](http://www.earthcoresips.com)

This document is an instrument of service, and as such, remains the property of EarthCore SIPS. Permission for use of this document is limited and can be extended only by written agreement with EarthCore SIPS. COPYRIGHT 2011